

S Cell

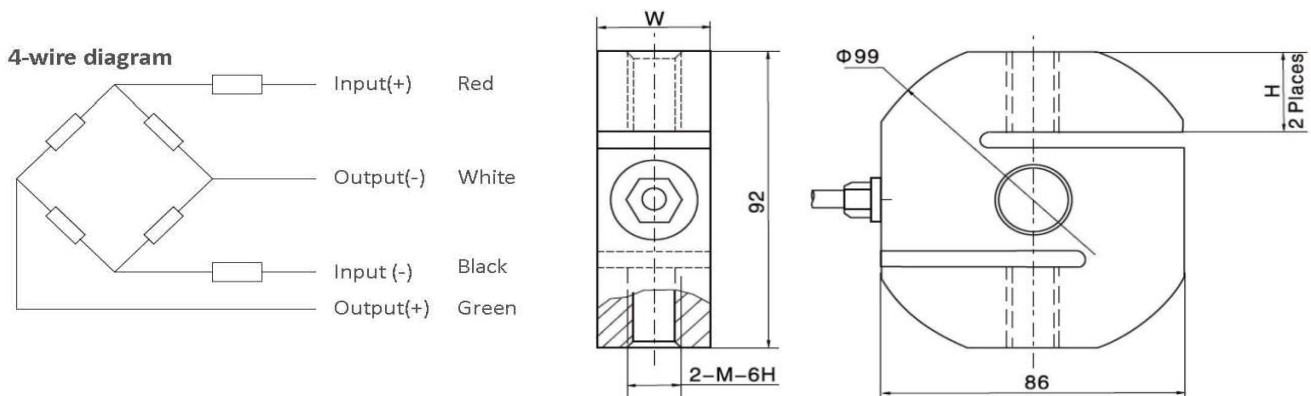
S-CELL

- Suitable for hanging, hopper and other weighing devices.
- Tension and compression applications.
- Stainless steel construction.
- Highly accurate and reliable.
- IP 68.



Specifications:	C3	OIML R60 C3
Output sensitivity (= FS):	2,0 ± 0,008 mV/V	2,0 ± 0,004 mV/V
Max. Numb. of load cell intervals:		3000
Ratio of min. LC verification interval:	7500	12000
Combined Error:		≤±0,0230 %FS
Min. dead load:		0%
Safe overload:		150%
Ultimate overload:		300%
Zero balance:		≤± 1,5% FS
Excitation, recommended voltage:		5 to 12 V
Excitation maximum:		18 V
Input resistance:		350 ± 3 Ω
Output resistance:		350 ± 3 Ω
Insulation resistance:		≥5000 (at 50VDC) MΩ
Compensated temperature:		-10 to 40 °C
Operating temperature:		-35 to 65 °C
Storage temperature:		-40 to 70 °C

Item No:	Capacity	Output	W (mm)	H (mm)	Diameter (mm)	M (mm)
S-CELL500KG-Z1	0,5T	2mV/V	32	25	Ø99	M12 x 1,75
S-CELL1000KG-Z1	1T	2mV/V	32	25	Ø99	M12 x 1,75
S-CELL2000KG-Z1	2T	2mV/V	32	25	Ø99	M20 x 1,5
S-CELL5000KG-Z1	5T	2mV/V	50	24	Ø99	M24 x 2



Address
Lucernemarken 18 A
DK-5260 Odense S

Bank Account
DKK 8117-4522421
EUR 8117-9653680

SWIFT code
NYKBDKDK

Bank
Nykredit Bank

IBAN no.
DKK DK7681170004522421
EUR DK1981170009653680

VAT no.
27414621

www.vetec.dk

Telephone
+45 6590 5802

Mail
post@vetec.dk