

Static Line Tensiometer

WT1-N, WT2-N

- Combined load indication and load limitation system for hoisting devices, cranes and overhead cranes.
- Electronic clamp-on tensiometer, universal fit.
- Highly accurate and reliable, $\pm 1\%$ FS accuracy.
- Minimal lifting height reduction. Down to L100 mm.
- Quick and easy to install on the dead end of the wire rope.
- Designed and manufactured in DK for high quality assurance.



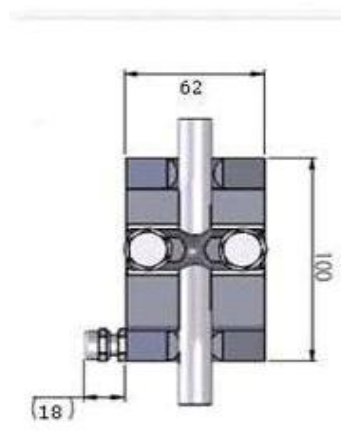
Specifications:

Accuracy:	$\pm 1\%$ FS
On unit:	0,1% FS
Mounted:	0,1% x wire diameter x2.
Output:	2,0 Nom MV/V balanced signal.
Material:	Alu 7075
Temperature:	0,0011 MV/C
Input:	EXC. 5-10 VDC
Cable:	3 mtrs. (Up to 15 mtrs. as option)

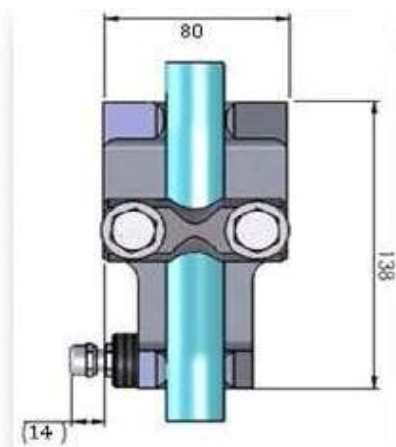
Item No:	Wire (mm)	Capacity (T)	Dimensions (mm)	Weight (kg.)
WT1-N	6-15 mm	5T per reeving	L100 x W62 x H65	0,8 kg.
WT2-N	14-28 mm	10T per reeving	L138x W80 x H85	1,5 kg.

Complete systems:

WT1-N + OL3000A	Tensiometer + Amplifer (load limitation only)
WT1-N + P1001, D1002, D1004	Tensiometer + Display w. Amplifer (load indication and limitation)



WT1-N



WT2-N

Address
Lucernemarken 18 A
DK-5260 Odense S

Bank
Nykredit Bank

Bank Account
DKK 8117-4522421
EUR 8117-9653680

IBAN no.
DKK DK7681170004522421
EUR DK1981170009653680

SWIFT code
NYKBDKDK

VAT no.
27414621

www.vetec.dk

Telephone
+45 6590 5802

Mail
post@vetec.dk