

Chassis Mount Cell

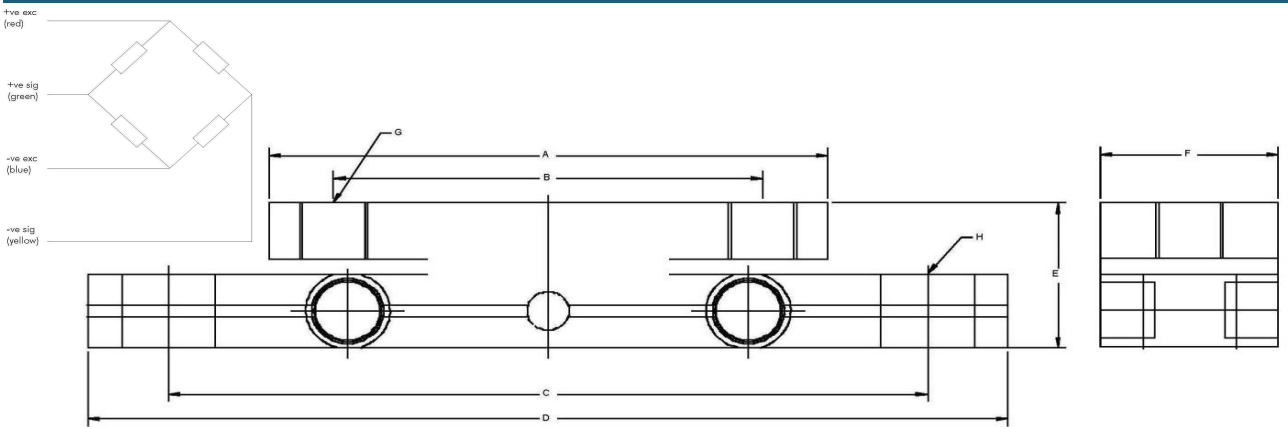
CHASSISMOUNT

- Low height.
- Stainless load cell.
- IP 68.
- High accuracy.
- Alternative capacities available on request.



Specifications:		Type CMC
Accuracy class:	0.5	C1.5
Rated output:	1.2 ± 0.25%	0.72 mV/V
Combined error:	0.5 %FRO	In accordance with OIML Class C1.5
Non-repeatability:	0,3 %FRO	
Creep (30 mins):	0.03 %FRO	
Temp. Coefficient on zero:	0.005 %FRO	
Temp. Coefficient on span:	0.002 %FRO	
Compensated temp.:	-10°C to 40°C.	
Operating temp. Range:	-20°C to 60°C.	
Safe overload:	150%	
Ultimate overload:	200%	
Zero balance:	<2%	
Input resistance:	750 (±30)Ω	200%
Output resistance:	700 (±2)Ω	300%
Insulation:	>5000 MΩ.	<2%
Excitation (max):	10(18) Volts	750 (±30)Ω
4-core screened cable:	10 mtrs.	700 (±2)Ω
		>5000 MΩ.
		10(18) Volts
		10 mtrs.

Capacity:	A (mm)	B (mm)	C (mm)	D (mm)	E (mm)	F (mm)	G (mm)	ØH (mm)
10T	198	152	269	326	57	63	M24	33
15T	198	152	269	326	63	63	M24	33



Address
Lucernemarken 18 A
DK-5260 Odense S

Bank Account
DKK 8117-4522421
EUR 8117-9653680

SWIFT code
NYKBKDKK

Bank
Nykredit Bank

IBAN no.
DKK DK7681170004522421
EUR DK1981170009653680

VAT no.
27414621

www.vetec.dk

Telephone
+45 6590 5802

Mail
post@vetec.dk