

## V-LINK Dynamometer

670601, 671201, 672501, 675501

- Highly accurate and reliable,  $\pm 0,2\%$  FS accuracy.
- Very clear red digit LED display. Visible at long distances / in bright daylight.
- IP Class 67. Ideal for wet/humid environments.
- Robust high strength steel construction for use in hostile environments.
- Supplied with full certificate of calibration.
- Delivered in smart carry case from hard ABS plastic.
- Designed and manufactured in DK for high quality assurance.



## V-LINK

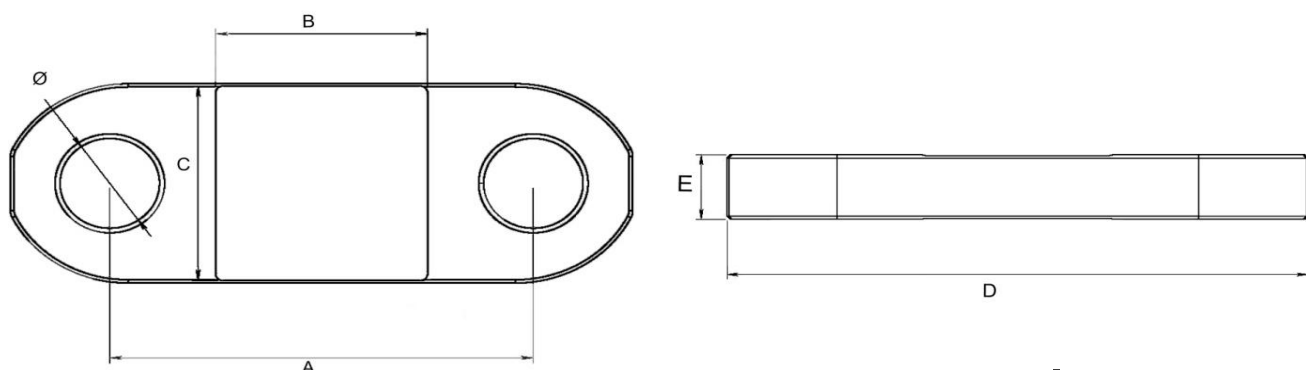
### Specifications:

Application:	Crane and hoist calibration and proof load testing
Capacity:	6.5T, 12T, 25T, 55T
Accuracy:	$\pm 0,2\%$ FS
Safe overload:	110%
Breaking limit	500%
Materials:	High strenght steel housing. Fe/Zn12/A surface treatment according to ISO 2081
IP class:	IP 67
Display:	Bright LED
Digit height:	14 mm
Digit color:	Red
Operating time:	16-20 hours (Operating at low temperatures will decrease the operating time)
Operation temp.:	-20°C - +50°C
Batteries:	Build-in Li-on
Charger:	High quality USB charger

Item No:	Capacity (T)	A (mm)	B (mm)	C (mm)	D (mm)	E (mm)	Ø (mm)	Weight (kg.)	Increment (kg.)
670601	6.5	200.00	115.00	117.00	260.00	41.50	31.00	4.47	5
671201	12	200.00	115.00	117.00	281.00	41.50	37.30	5.65	10
672501	25	230.00	115.00	117.00	338.00	41.50	54.00	7.56	10
675501	55	282.00	115.00	155.00	440.00	46.00	73.00	16.93	20

### Accessory options:

WRDTX01 Wireless remote display



**Address**  
Lucernemarken 18 A  
DK-5260 Odense S

**Bank**  
Nykredit Bank

**Bank Account**  
DKK 8117-4522421  
EUR 8117-9653680

**IBAN no.**  
DKK DK7681170004522421  
EUR DK1981170009653680

**SWIFT code**  
NYKBDKDK

**VAT no.**  
27414621

[www.vetec.dk](http://www.vetec.dk)

**Telephone**  
+45 6590 5802

**Mail**  
post@vetec.dk