

V-LINK Dynamometer

670601, 671201, 672501, 675501

- Highly accurate and reliable, $\pm 0,2\%$ FS accuracy.
- Very clear red digit LED display. Visible at long distances / in bright daylight.
- IP Class 67. Ideal for wet/humid environments.
- Robust high strength steel construction for use in hostile environments.
- Supplied with full certificate of calibration.
- Delivered in smart carry case from hard ABS plastic.
- Designed and manufactured in DK for high quality assurance.



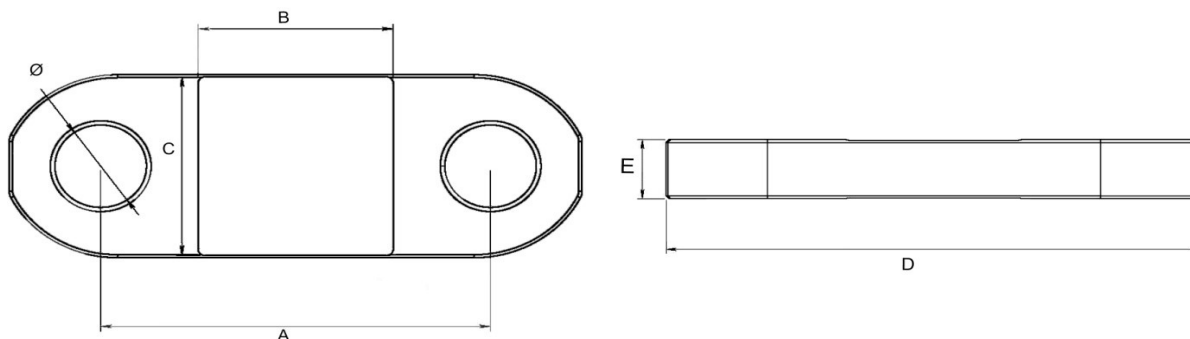
Specifications:

Application:	Crane and hoist calibration and proof load testing
Capacity:	6.5T, 12.5T, 25T, 55T
Accuracy:	$\pm 0,2\%$ FS
Safe overload:	110%
Breaking limit	500%
Materials:	High strength steel housing. Fe/Zn12 Chromit surface treatment according to ISO 2081
IP class:	IP 67
Display:	Bright LED
Digit height:	14 mm
Digit color:	Red
Operating time:	16-20 hours (Operating at low temperatures will decrease the operating time)
Operation temp.:	-20°C - +50°C
Batteries:	Build-in Li-on
Charger:	High quality USB charger

Item No:	Capacity(T)	A(mm)	B(mm)	C(mm)	D(mm)	E(mm)	Ø(mm)	Weight(kg.)	Incre.(kg.)
670601	6.5	200.00	115.00	117.00	260.00	41.50	31.00	4.47	5
671201	12.5	200.00	115.00	117.00	281.00	41.50	37.30	5.65	10
672501	25	230.00	115.00	117.00	338.00	41.50	54.00	7.56	10
675501	55	282.00	115.00	155.00	440.00	46.00	73.00	16.93	50

Accessory options:

WRDXT01 Wireless remote display



1