

# Static Line Tensiometer

Ver. 1.2

# vetec

- Combined load indication and load limitation system for hoisting devices, cranes and overhead cranes.
- Electronic clamp-on tensiometer, universal fit.
- Highly accurate and reliable,  $\pm 1\%$  FS accuracy.
- Minimal lifting height reduction. Down to L100 mm.
- Quick and easy to install on the dead end of the wire rope.
- Designed and manufactured in DK for high quality assurance.



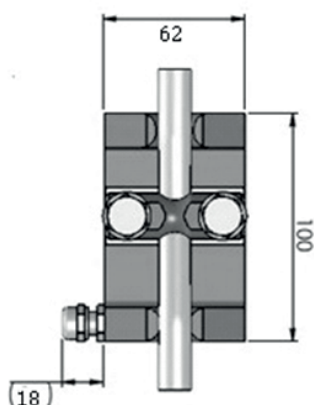
Specifications	
Accuracy	$\pm 1\%$ FS
On unit	0.1% FS
Mounted	0.1% x wire diameter x2
Output	2.0 Nom MV/V balanced signal
Material	Alu 7075
Temperature	0,0011 MV/C
Input	EXC. 5-10 VDC
Cable	3 meters. (Up to 15 meters. as option)

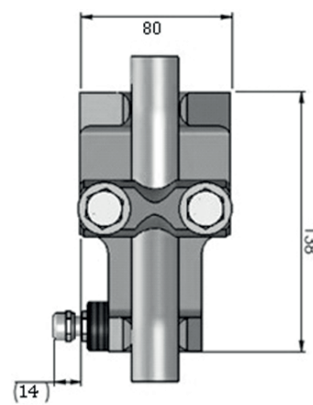
Item no.	Wire (mm)	Capacity (T)	Dimensions (mm)	Weight (kg.)
WT1-N	6-15 mm	5T per reeving	L100 x W62 x H65	0,8 kg.
WT2-N	14-28 mm	10T per reeving	L138x W80 x H85	1.5 kg.

Complete systems		
Load limitation	WT1-N / WT2-N + T1-L-RS485	Tensiometer + Weight transmitter
Load indication and limitation	WT1-N / WT2-N + P4 / D2 / D4	Tensiometer + Display w. Amplifier



WT1-N



WT2-N

Vetec A/S - Teknikvej 69 - DK-5260 Odense S - Denmark - SE/CVR-no. 27414621

Mail: post@vetec.dk - Phone: 0045 6590 5802