

S-Type Load Cell

S-CELL

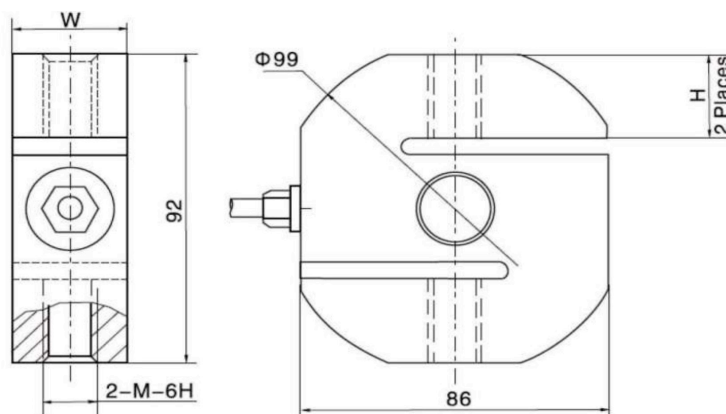
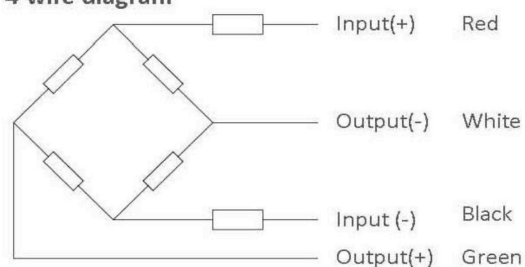
vetec

- Suitable for hanging, hopper and other weighing devices.
- Tension and compression applications.
- Stainless steel construction.
- Highly accurate and reliable.
- IP 68.



Specifications:		C3		OIML R60 C3			
Output sensitivity (= FS):		2.0 ± 0.008 mV/V		2.0 ± 0.004 mV/V			
Output sensitivity (= FS):				3000			
Ratio of min. LC verification interval:		7500		12000			
Combined Error:				≤±0.0230 %FS			
Min. dead load:				0%			
Safe overload:				150%			
Ultimate overload:				300%			
Zero balance:				≤± 1.5% FS			
Excitation, recommended voltage:				5 to 12 V			
Excitation maximum:				18 V			
Input resistance:				350 ± 3 Ω			
Output resistance:				350 ± 3 Ω			
Insulation resistance:				≥5000 (at 50VDC) MΩ			
Compensated temperature:				-10 to 40 °C			
Operating temperature:				-35 to 65 °C			
Storage temperature:				-40 to 70 °C			
Item No:	Capacity	Output	W (mm)	H (mm)	Dia. (mm)	M (mm)	Weight (kg.)
S-CELL500KG-Z1	0.5T	2mV/V	32	25	Ø99	M12 x 1.75	1.60
S-CELL1000KG-Z1	1T	2mV/V	32	25	Ø99	M12 x 1.75	1.60
S-CELL2000KG-Z1	2T	2mV/V	32	25	Ø99	M20 x 1.5	1.60
S-CELL5000KG-Z1	5T	2mV/V	50	24	Ø99	M24 x 2	2.35

4-wire diagram



Vetec A/S - Teknikvej 69 - DK-5260 Odense S - Denmark - SE/CVR-no. 27414621

Mail: post@vetec.dk - Phone: 0045 6590 5802