

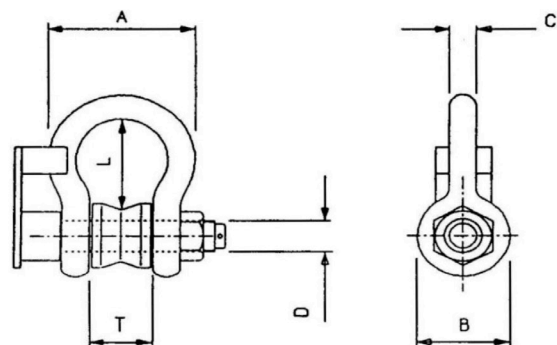
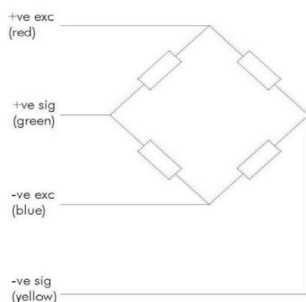
Shackle Pin

SHA-PIN

- Robust stainless steel pin & bobbin for use in hostile environments.
- Highly accurate and reliable, $\pm 0.5\%$ FS accuracy.
- Bobbin and anti-rotation bracket for centralized, accurate loading.
- Green Pin shackles. Crosby shackles as option.
- 4-20 mA output.
- Telemetry and cabled version, 10 meters cable.
- To ensure the right fit shackles and load pins are always provided together.



Specifications						
Full load output	2.0 nom. mV/V	Accuracy:				$\pm 0.5\%$ FS
Zero load output	$< \pm 2.0\%$	Repeatability:				$< 0.10\%$
Excitation (Max)	10 (15) V	Safe overload:				150%
Input resistance	375 or 745 Ω	IP class:				IP66
Output resistance	350 or 750 Ω					
Compensated temp. Range	-10° to 40°C					
Operating temp. Range	-20° to 60°C					
Temp. Coefficient on Zero:	$< 0.005\%$ Capacity/°C					
Temp. Coefficient on Span:	$< 0.003\%$ Capacity/°C					
Insulation:	$> 500 @ 100V$ dec M Ω					
Capacity (T)	A (mm)	B (mm)	C (mm)	D (mm)	L (mm)	T (mm)
3,25 (only cabled)	75	40	16	19	57	27
6,5	100	54	22	25.4	84	38
12	146	76	32	35	119	50
25	216	106	45	50	146	73
35	238	127	51	57	187	83
42,5	287	134	57	65	212	95
55	311	142	68	70	267	105
85	355	163	75	83	309	127
120	420	203	89	95	368	133
150	460	229	100	108	371	140
250	625	305	115	127	475	215



Vetec A/S - Teknikvej 69 - DK-5260 Odense S - Denmark - SE/CVR-no. 27414621

Mail: post@vetec.dk - Phone: 0045 6590 5802