

Uni-Link + S-cell

Ver. 1.2

vetec

- Rechargeable built in Li-ion battery
- Compatible with the Vetec App (iOS & Android)
- Very clear red digit LED display. Visible at long distances / in bright daylight
- Designed and manufactured in Denmark for high quality assurance
- Bluetooth allows long-range (Class 1) and short-range (Class 2) communication with cloud service for data logging.

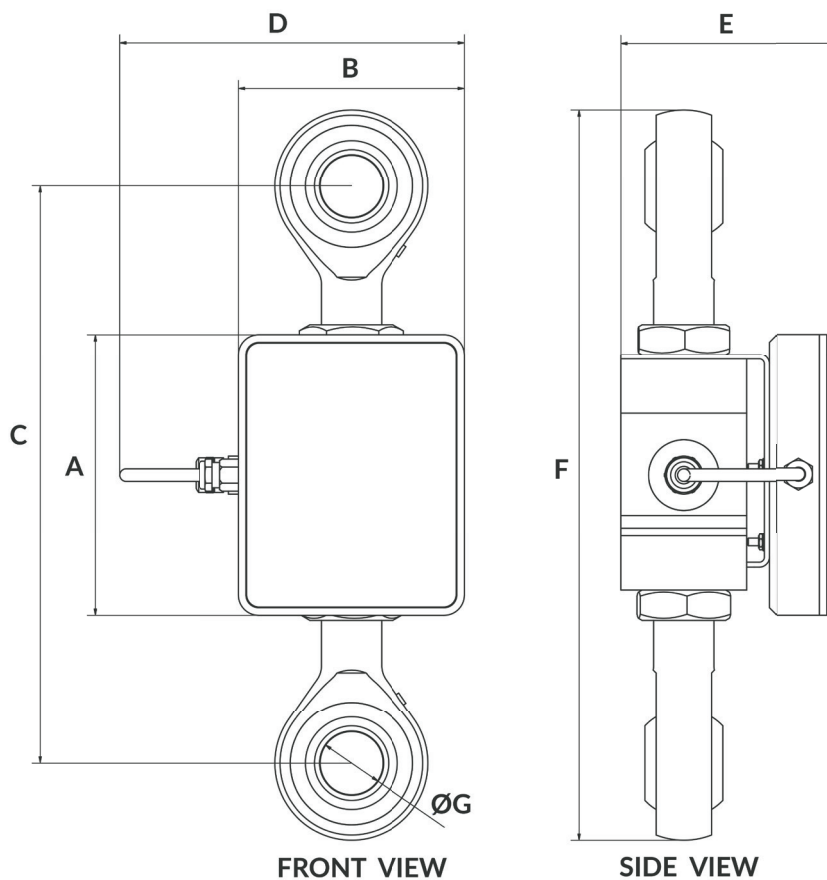


Uni-Link Specifications

Load range	1000 - 5000 kg.
Display	Bright LED
Digit height	14 mm
Digit color	Red
Operating time	16-20 hours (Operating at low temperatures will decrease the operating time)
Operating temp.	-20°C to +50°C
Batteries	Built-in Li-on battery
Charger	High quality USB charger

Uni-Link Dimensions

Item no.	A (mm)	B (mm)	C (mm)	D (mm)	E (mm)	F (mm)	ØG (Ø mm)	Weight (kg.)
UNI-LINK02-1000kg.	112	90	198	133	68	249	20	2.4
UNI-LINK02-2000kg.	112	90	230	137	86	291	26	4.1
UNI-LINK02-5000kg.	112	90	230	137	86	291	26	4.1



Vetec A/S - Teknikvej 69 - DK-5260 Odense S - Denmark - SE/CVR-no. 27414621

Mail: post@vetec.dk - Phone: 0045 6590 5802