

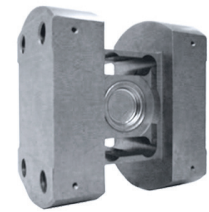
Bin Lift Cell

BINLIFT CELL

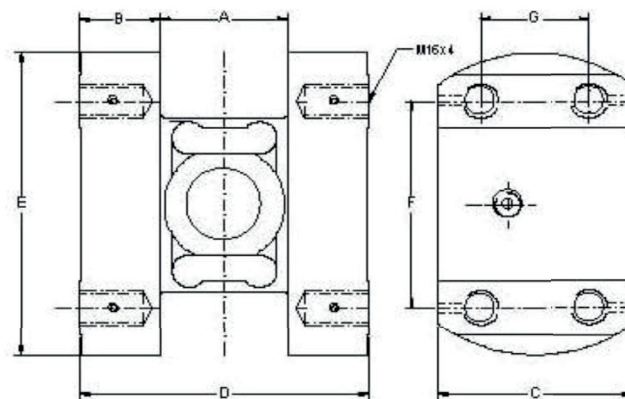
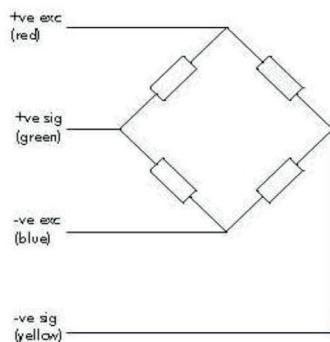
vetec

a part of Nordtech-Vetec

- Designed for extremely high fatigue stress and impact loads experienced in onboard vehicle weighing.
- Approved for commercial weighing to OIML R60 2000.
- Stainless steel construction. Fully welded.
- Ideal for hostile environments.
- High accuracy and durability.
- Excellent dynamic.



Specifications		DT4650						
Accuracy class:	0.1%	C3						
Rated output	1.0 mV/V ±0,25%	0.88 mV/V						
Combined error	0.1 %FRO							
Non-repeatability:	0.02%FRO	In accordance with OIML Class C3						
Creep (30 mins):	0.03%FRO							
Temp. coef. of zero:	0.005 %FRO							
Temp. coef. of span:	0.002 %FRO							
Safe overload:	150 %	150%						
Ultimate overload:	300 %	300%						
Zero balance:	<1	<1						
Input resistance:	380 (±30) Ω	380 (±30) Ω						
Output resistance:	350 (±2) Ω	350 (±2) Ω						
Insulation:	<5000 M Ω	<5000 M Ω						
Excitation (max):	10 (15) Volts	10 (15) Volts						
Env. Protection:	IP68	IP68						
4-core screened cable:	2 meters.	2 meters.						
Item No:	Capacity	A (mm)	B (mm)	C (mm)	D (mm)	E (mm)	F (mm)	G (mm)
BIN LIFT CELL 1T	1T	56	35,5	75	127	139	95	46
BIN LIFT CELL 2T	2T	56	35,5	75	127	139	95	46
BIN LIFT CELL 5T	5T	56	35,5	75	127	139	95	46



Nordtech-Vetec A/S - Teknikvej 69 - DK-5260 Odense S - Denmark - SE/CVR-no. 18175509

Mail: post@nordtech.dk - Phone: +(00)45 6591 9802