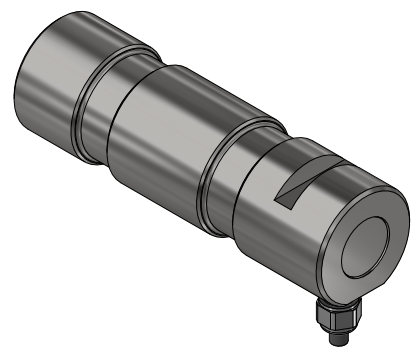
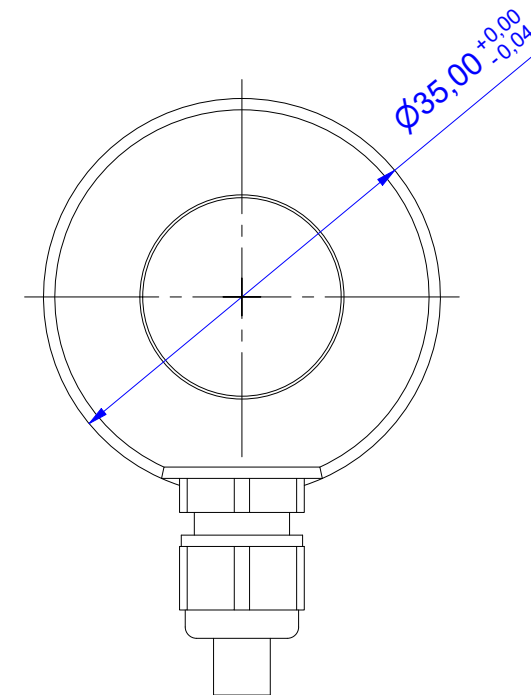
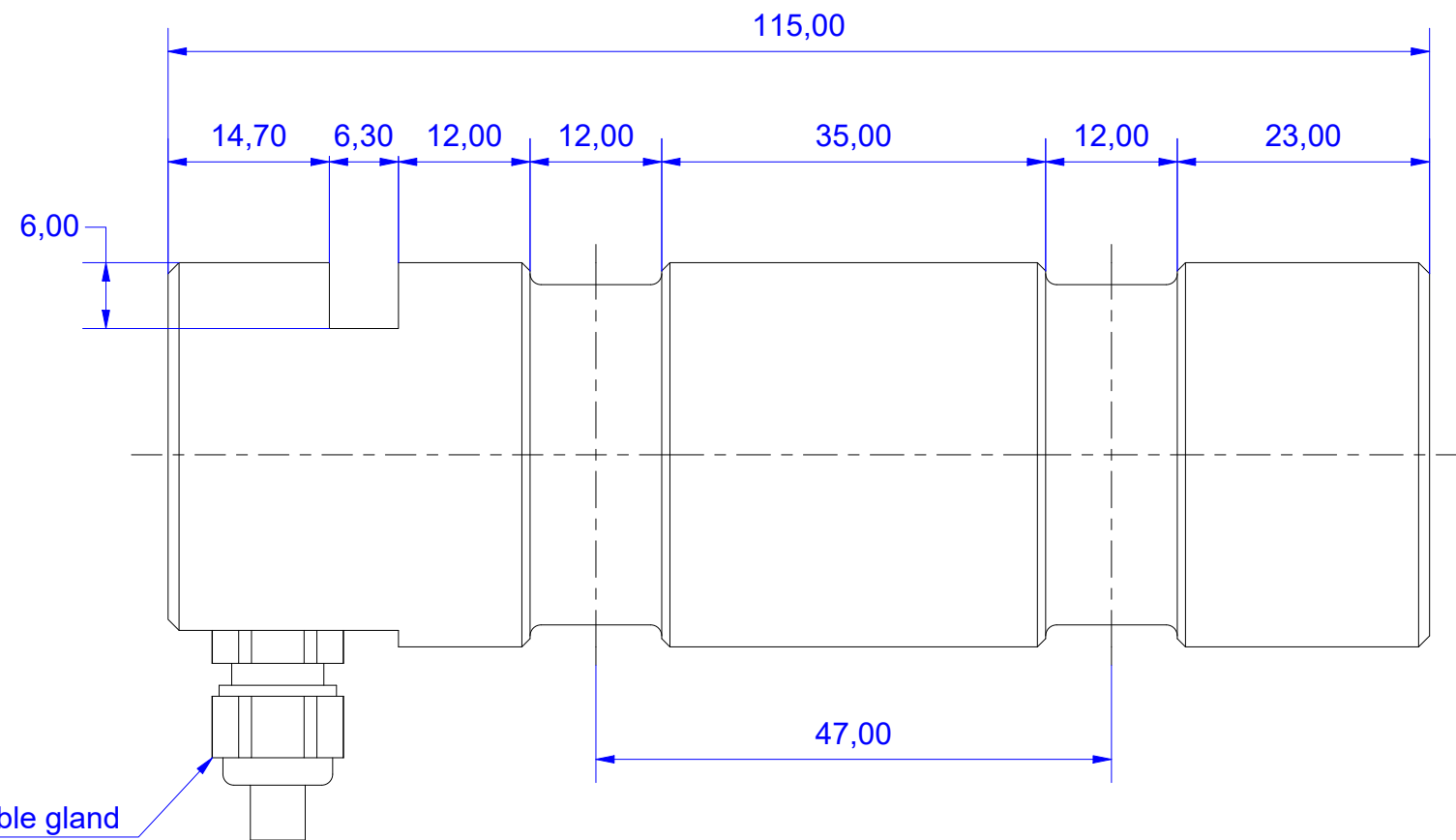


REVISION HISTORY						
REV.	DESIGN	DATE	ZONE	DESCRIPTION	APPROVED	DATE
A	MMN	13-01-2026		Design af Load Pin 5T (Standard Load pins).	HJ	23-04-2026

Technique Specifications:

1. Nominal Load: 5T
2. Built-in transmitter: Electric 9-30V
Output 4-20mA
3. Non Linearity: 0.3% FS
4. Hysteresis: 0.3% FS
5. Non Repeatability: 0.1% FS
6. Output Resistance: $700 \pm 3 \Omega$
7. Insulation Resistance: $\geq 2000 M\Omega$ (100VDC)
8. Creep: 0.1% FS (30 min.)
9. Safe Overload: 120% FS
10. Ultimate Overload: 150% FS
11. Zero Balance: $\pm 2\%$ FS
12. Cable: 5m
13. IP Protection: IP67
14. Connection Mode: Input: Red
Output: White
GND: Black



COPYRIGHT: This drawing may not be copied or reproduced in any way without permission from Vetec A/S.

vetec
a part of Nordtech-Vetec

Teknikvej 69
DK-5260 Odense S
Denmark
Tel: +45 6591 9802
E-mail: post@nordtech.dk

LOADPIN 5T(Ø35 x 115mm)		Project No.:
Description:	Material: Stainless steel(17-4 PH)	Designed by: MMN
		Date: 13-01-2026
All dimensions without tolerances according til DS/ISO 2768-1 f		Approved by: HJ
General Tolerance:		Date: 23-04-2026
Surface Treatment:	Drawing No.: LOADPIN-STD 5T	

Projection:	Format: A3	Scale: 1,5 : 1	Mass: 0,754 kg	Revision: A
-------------	------------	----------------	----------------	-------------