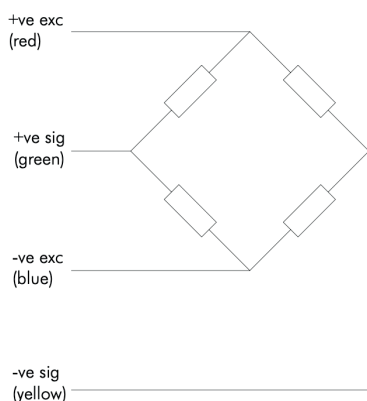


# Wedge socket

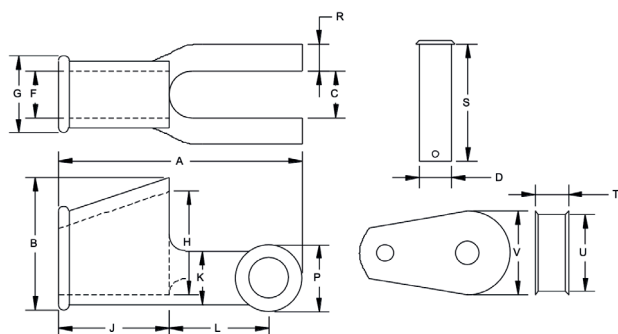
## Wedge Socket

- Rope sizes 9 to 32 mm
- Sealed to IP68
- Low deflection
- Ideal for direct swap installation
- Robust construction
- ATEX certification available



Specifications		
Capacities	5, 10, 25, 50, 100, 250	te
Full load output	1.0 nom.	mV/V
Zero load output	≤±0.004	%
Excitation (Max)	10 (15)	V
Accuracy	<0.5	%
Repeatability	<0.10	%
Input resistance	375	Ω
Output resistance	350	Ω
Compensated temp. range	-10 to +40	°C
Operating temp. range	-20 to +60	°C
Temp. coefficient on Zero	<0.050	% Capacity/°C
Temp. coefficient on Span	<0.030	% Capacity/°C
Safe overload	150	%
Insulation	>500 @ 100Vdc	MΩ
Environmental protection	IP68	
Cable length	4	m

Wire Rope Dia.		Dimensions (mm)															
(in.)	(mm)	A	B	C	D	F	G	H	J	K	L	P	R	S	T	U	V
2/8	9-10	143	65	20.6	20.6	14.2	28.7	52.5	57.0	26.9	63.5	39.6	11.2	52.0	11.2	31.8	35.0
1/2	11-13	173	87.5	25.5	25.4	17.5	35.1	71.5	76.0	33.3	70	49.3	12.7	62.0	13.5	44.5	48.0
5/8	14-16	207	103	31.8	30.2	22.3	44.5	84.0	93.5	38.1	82.5	57.2	14.2	79.5	17.5	51.0	55.5
3/4	18-19	248	122	38.1	35.1	25.4	52.4	100	100	44.5	101	70.0	16.8	92.1	19.8	59.0	65.0
7/8	20-22	283	139	44.5	41.4	28.7	58.5	114	111	51.0	114	79.5	19.1	160	22.3	68.3	74.5
1	23-26	324	155	50.8	50.8	33.3	65.0	127	127	57.0	127	95.0	22.3	117	26.2	73.0	83.5
1-1/8	28	365	171	57.0	57.2	38.1	74.5	140	140	63.5	143	108	25.4	136	30.2	79.5	90.5
1-1/4	30-32	406	187	63.5	63.5	41.4	81.0	152	152	70.0	159	121	28.7	147	33.3	86.0	97.0



- Other ranges available
- Cable or plug and cable connector
- Non standard sizes available
- ATEX certification available

